



## **CheckMate™ Striping Kit Installation Guide**

For Toro® Recycler™ Mowers

### **Installation Method A**

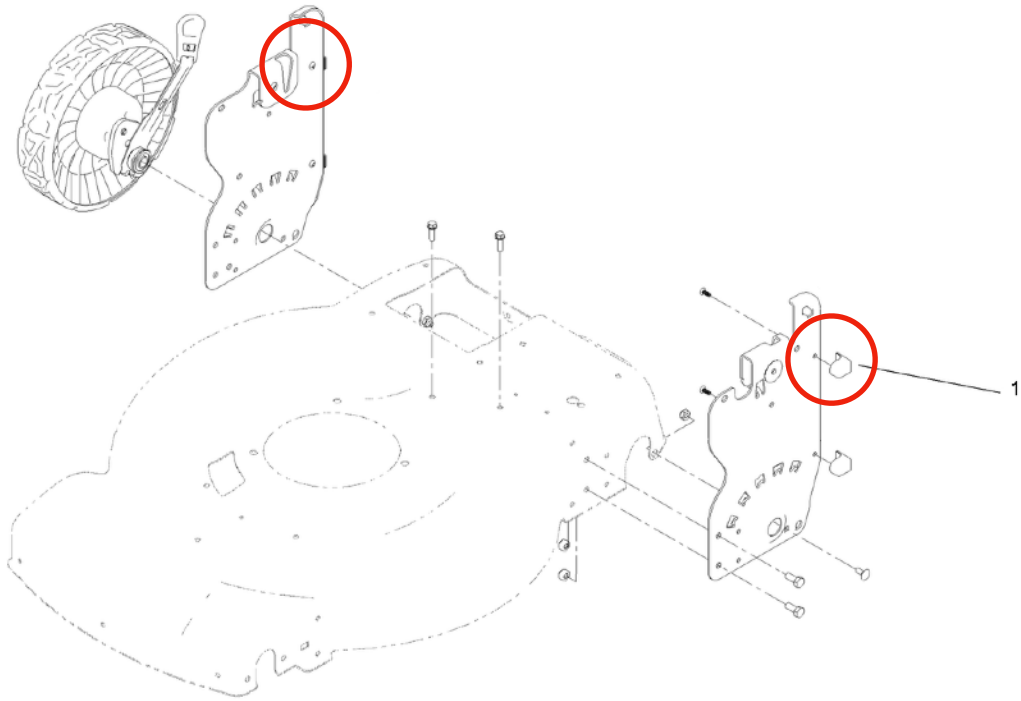
For Model #'s: 21462, 21464, 21465, 21472,  
21378, 21379, 21339, 21466



#### Mounting:

- 1.) Remove the Smart Stow rest (#1 in diagram below) by using a phillips head screw driver to expose mounting hole.
- 2.) Use a 5/16" drill bit to open the existing hole.
- 3.) The Mounting bolt should be inserted through the widened hole. (Note that only the threaded portion of the mounting bolt will pass through the hole). Install 5/16" locknut onto threads and firmly tighten.
- 4.) Connect CheckMate™ using side mount method:

(See Diagram on Page 2)



**CheckMate™ mounting arms should be assembled as shown in photo.**

| Parts List   |          |
|--|----------|
| Part   | Quantity |
| 1/2" x 1" Bolt   | 8        |
| 1/2" Split Lock Washer                                 | 8        |
| 1/2" Nylon Lock Nut                                    | 8        |
| 3-Hole L-Bracket                                       | 2        |
| 3-Hole Swivel Bracket<br>(Bolt Assembly Pre-Installed) | 2        |
| 4-Hole Extension Bracket                               | 2        |



### **Installation Method B**

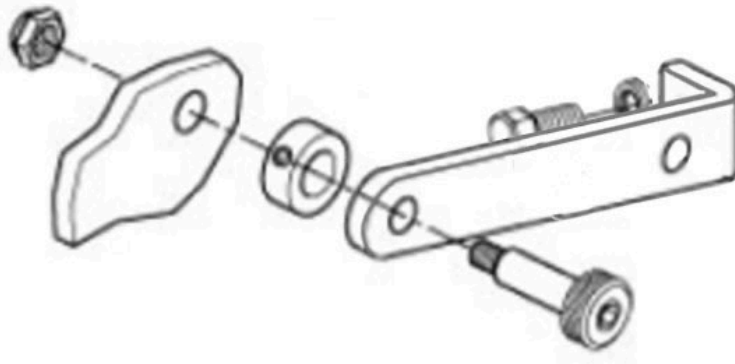
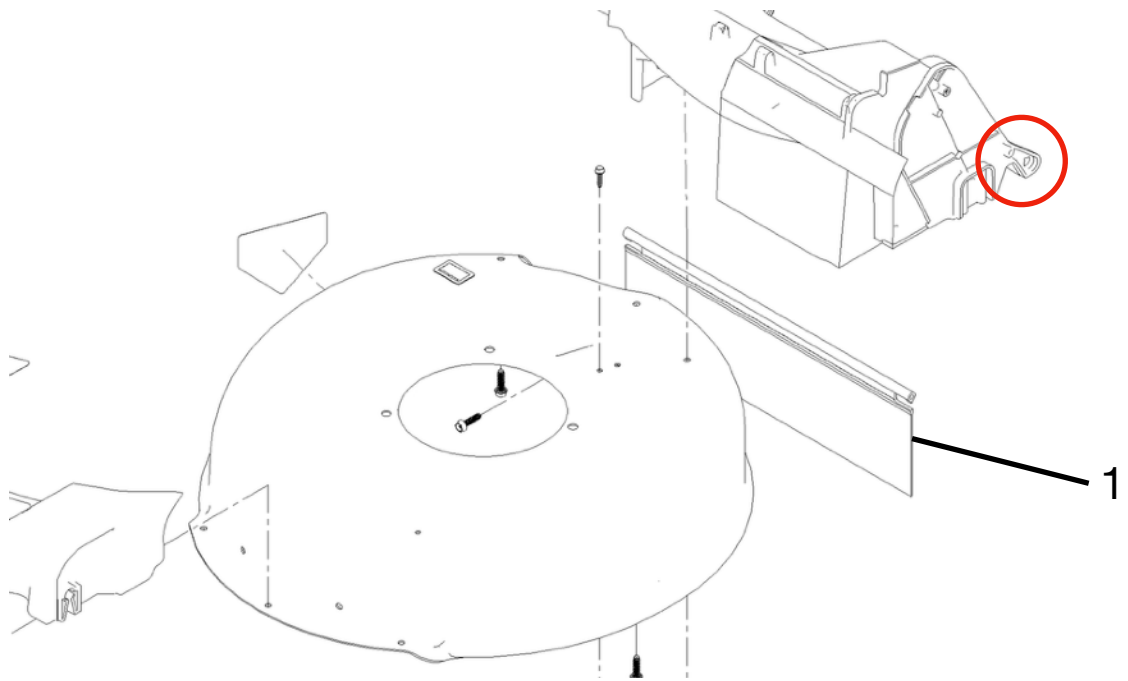
For Model #'s: 21352, 21332, 21328, 21356



#### Mounting:

- 1.) Remove the Rear Skirt (#1 in diagram below) by pulling out each end from housing.
- 3.) The Mounting bolt should be inserted through the exposed hole. (Note that only the threaded portion of the mounting bolt will pass through the hole). Install 5/16" locknut onto threads and firmly tighten.
- 4.) Connect CheckMate™ using side mount method:

(See Diagram on Page 4)



| Parts List             |          |
|------------------------|----------|
| Part                   | Quantity |
| 1/2" x 1" Bolt         | 2        |
| 1/2" Split Lock Washer | 2        |
| 1/2" Nylon Lock Nut    | 2        |
| 3-Hole L-Bracket       | 2        |